

Taurus Electro X135 (1212 lbs/550 kg)  
Serial: TEX13500190  
Registration: N415EA  
Experimental Exhibition

# TAURUS

## ELECTRO



HORSEPOWER	MANEUVERING SPEED	BEST GLIDE	BEST GLIDE RATIO SPEED	MAX CLIMB RATE
35 kw	82 kts	41:1	61 kts	520 fpm

**ADVENTURE  
ELECTRIFIED**

## The Pipistrel Taurus Electro offers:

- LX9070 color 7" screen gliding computer, flight recorder (highest IGC approval), compass slip indicator, landing gear warning, Flarm, GPS antenna, and SD card
- LX9000 / 9070 Artificial horizon module and pro stick control
- Variometer total energy consumption probe
- 2 seat side-by-side cloth seats
- Pipistrel 2-blade retractable propeller
- Ballistic Rescue System GRS (6/600) with container



## Electrified Adventure

*The Taurus Electro offers complete freedom as a ground-breaking two-seat, side-by-side, self-launching glider. With superb handling, excellent gliding performance, and a spacious, well-ventilated cockpit, the Taurus Electro is ready for you. Thanks to the all-electric 40 kW powertrain, the Taurus Electro can operate from shorter runways and climb faster, representing a leap forward on performance, safety, functionality, and pilot ease.*



## Innovation at its Finest

*On board, Taurus Electro features a full networked avionics package, providing fly-by-wire powertrain management with built-in multi-layer protection. Cutting edge hybrid battery management provides better performance and longer battery life, with the ability to monitor battery status and all parameters. With Taurus Electro, you'll enjoy your independence with the retractable electric engine and double retractable main landing gear – that's right, no tow-plane needed! Paired with Pipistrel's closed trailer for easy loading and transport, the sky is not the limit with Taurus Electro – it's just the beginning.*



**PIPISTREL**

BY TEXTRON eAVIATION

# Taurus Electro X135 Specifications



Electric engine version 30 Ah / 7.90 kWh

LX 9070 color 7" screen gliding computer, flight recorder, compass, slip indicator, Flarm, GPS antenna, SD card)

LX 9070 Artificial horizon module

LX 9070 pro stick control

ELT Artex 345 (406 MHz) - permanently fitted to aircraft

Radio Trig TY91 with built-in intercom, outside antenna and 2 Pipistrel headsets

Transponder Trig TT22 C/S-mode with antenna

ADS-B OUT US ONLY - Trig TN70 ADS-B Bundle (Transponder + WAAS GPS Receiver + GPS Antenna)

Tail wheel fairing

Front tow hook

Tail wheel support for maneuvering Taurus in hangar

Tinted canopy light blue color

USB 2A on both sides

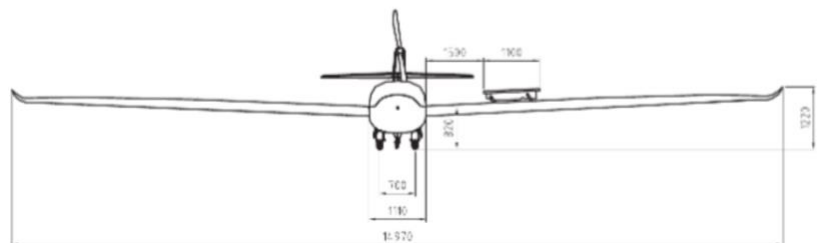
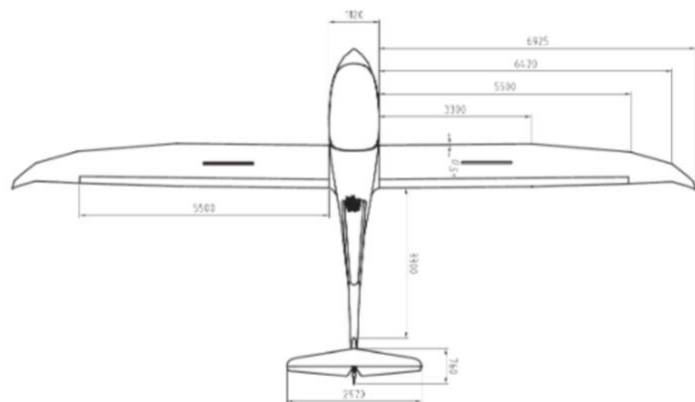
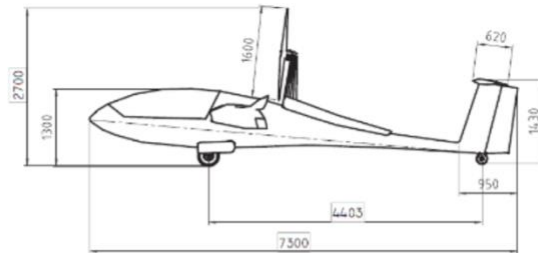
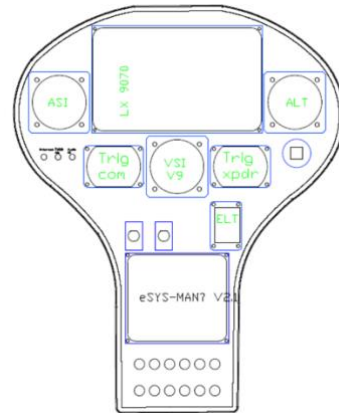
Variometer total energy compensation probe with installation

Blue cloth seats and cockpit upholstery

Pipistrel 3 kW charger (typical charge time 5-5.5 hours)

Ballistic rescue system GRS 6/600 SD with container (additional weight 17 kg) for 550 kg MTOM

Basic spare parts kit



## Taurus Electro X135 Accessories



Closed Trailer (included)

### Hauptabmessungen / Main dimensions

4.	Radstand / Wheelbase	4850	mm
4.1	Achsabstände / Axle spacing: 0 – 1	4850	mm
	Achsabstände / Axle spacing: 1 – 2	N/A	mm
	Achsabstände / Axle spacing: 2 – 3	N/A	mm
	Achsabstände / Axle spacing: 3 – 4	N/A	mm
5.	Länge / Length	9580	mm
6.	Breite / Width	2350	mm
7.	Höhe / Height	1900	mm
10.	Abstand zwischen dem Mittelpunkt der Anhängervorrichtung und dem Fahrzeugheck / Distance between the centre of the coupling device and the rear end of the vehicle:	9550	mm
11.	Länge der Ladefläche / Length of the loading area	8320	mm



Pipistrel Charger (included)

### Highlights

- 2025 Taurus Electro
- Comes with full factory warranty (2 yrs/400 hrs, whichever occurs first, from point of delivery)
- Price includes Taurus Electro glider, Cobra Trailer, and electric charger
- SPECIAL PRICING IN JUNE

**Package Price: \$290,000\***

*\*Limited time reduced pricing*

*Pipistrel reserves the right to make changes, including change in price, content, description, terms, equipment, options, specifications at any time without prior notice.*

*All prices listed in USD by Elemental Aviation excluding sales tax, and import tariffs, as applicable.*

**To Purchase a Pipistrel in the USA,  
contact your Authorized Distributor:**

**Elemental Aviation  
Pipistrel Distributor for West/Central USA**

**Tel: 435.631.4579**

**Email: [sales@elemental.aero](mailto:sales@elemental.aero)**

**Website: [www.elemental.aero](http://www.elemental.aero)**

**PIPISTREL**  
BY TEXTRON e AVIATION